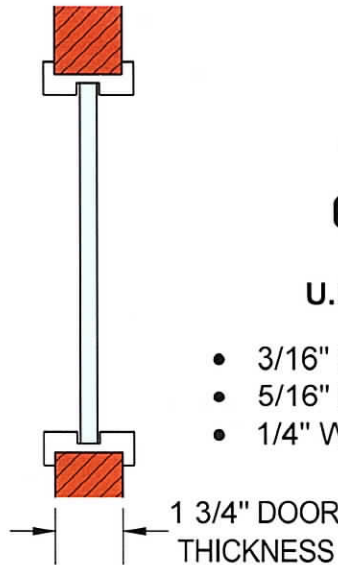
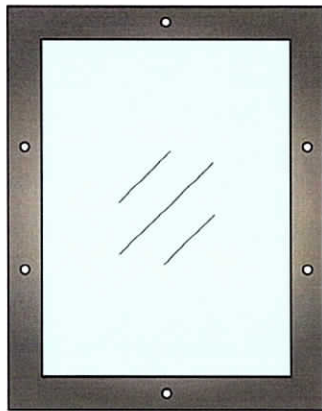


RAY-BAR FIRE RATED VISION FRAME KITS WITH FIRELITE-NT (FILMED) AND FIRE GLAZING TAPE *OPTION WITH FIRELITE+PLUS (LAMINATED) STANDARD 60/90 MINUTE FIRE RATED



U.L. FILE R38927

- 3/16" FIRELITE-NT (FILM)
- 5/16" FIRELITE+PLUS (LAMI)
- 1/4" WIRELITE-NT (FILM)

- FIRELITE-NT IS 60/90 MINUTE FIRE RATED AND IMPACT RESISTANT
- * ALSO AVAILABLE WITH 5/16" FIRELITE PLUS LAMINATED SAFETY GLASS
- ORDER SIZE IS ACTUAL "CUT-OUT" HOLE SIZE
- FIRE GLAZING TAPE INCLUDED WITH EACH ASSEMBLY
- **24 STANDARD "GOOD IN STOCK" SIZES 60 MINUTE FIRE RATED**
- IMPACT RESISTANCE MEETS ANSI Z97.1 AND CPSC 16 CFR 1201 PER IBC 2406
- AVAILABLE READY TO SHIP IN ONLY 2-3 WORK DAYS
- * AVAILABLE 180 MINUTE RATED WITH 100 SQUARE INCHES MAXIMUM CLEAR VIEW

* 4" x 24"	8" x 24"	12" x 18"	24" x 24"
* 5" x 25"	8" x 30"	18" x 18"	24" x 30"
5" x 35"	* 10" x 10"	18" x 24"	24" x 36"
6" x 24"	10" x 12"	18" x 30"	30" x 30"
6" x 26"	12" x 12"	18" x 36"	30" x 36"
8" x 10"	12" x 16"	23" x 23"	36" x 36"



* OPTIONALLY AVAILABLE WITH 45 MIN WIRELITE-NT SAFETY FILM (DIAMOND PATTERN)

PHONE 800.444.9729

• RADIATION • FIRE •



E-MAIL: SALES@RAYBAR.COM

• BALLISTIC • LASER •

WWW.RAYBAR.COM

"WHEN PROTECTION IS REQUIRED, THERE IS NO SUBSTITUTE FOR SKILL AND EXPERIENCE"